

PLENUM BOXES FOR SUPPLY DIFFUSERS





VK - 200

VK - 200 SERIES

Description

Plenum box type VK - 200 series is designed to ensure equal distribution of air across the supply diffusers. The supply plenum box has acoustic lining to reduce noise generated inside the duct due to airflow turbulence before reaching the diffuser. The built-in damper can be operated from the spigot connection or from face of diffuser.

Standard Construction

Plenum Box:

Built of galvanized steel sheet gauge 24, conform to ASTM A653, Lock Forming Quality, G90 zinc coating.

Insulation:

25 mm thick acoustic lining with black glass tissue facing, 48kg/m³ density. Acoustic lining is fixed inside the plenum box with non-flammable adhesive and mechanical fastener (cupped head pins).

Spigot:

Spigot inlet with damper as standard.

Additional Options

- 1. Spigot inlet without damper.
- 2. With perforated sheet covering the acoustic liner facing the air stream to prevent damage and fiber erosion.
Type:VK-200P...210P...220P...230P

3. Plenum box built of stainless steel sheet Type 304.
Type: VK - 200S, VK - 210S, VK - 220S, VK - 230S.

Plenum Box with Inlet Option

VK - 210

General construction as type VK - 200 plenum but damper blade is adjustable from face of diffuser.

VK - 220

General construction as type VK - 200 plenum but with especial damper adjustable horizontally with damper control on face of diffuser. A plastic tube is fitted to damper control for pressure test if required.

VK - 230

General construction as type VK - 200 plenum but damper blade open or close sideward with damper control on face of diffuser.

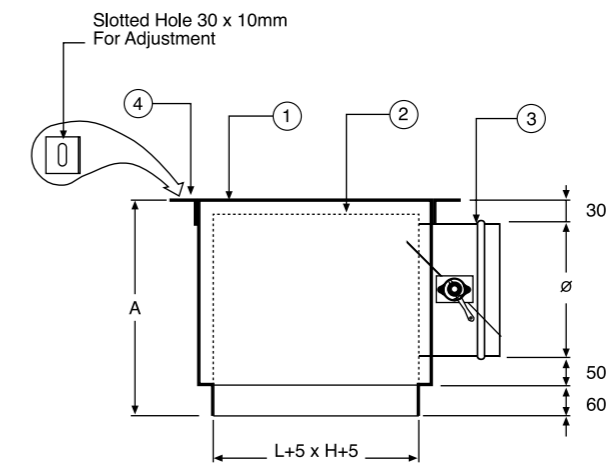
VK 200 SERIES [VK 200, VK 210, VK 220, VK 230]

Legend:

- 1 - Casing
- 2 - Acoustic Lining
- 3 - Spigot Inlet
- 4 - Hanging Bracket

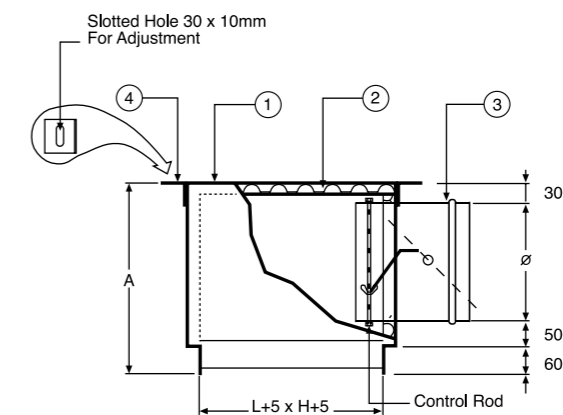
VK - 200

Spigot inlet with damper and 25mm thick acoustic lining, density 48kg/m³ with BGT facing.



VK - 210

Spigot inlet with damper blade adjustable from the face of diffuser and 25mm thick acoustic lining, density 48kg/m³ with BGT facing.



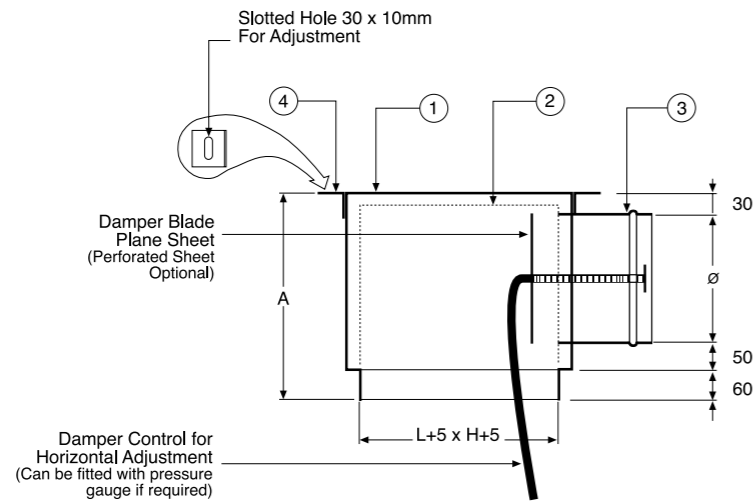
VK 200 SERIES [VK 200, VK 210, VK 220, VK 230]

Legend:

- 1 - Casing 2 - Acoustic Lining 3 - Spigot Inlet 4 - Hanging Bracket

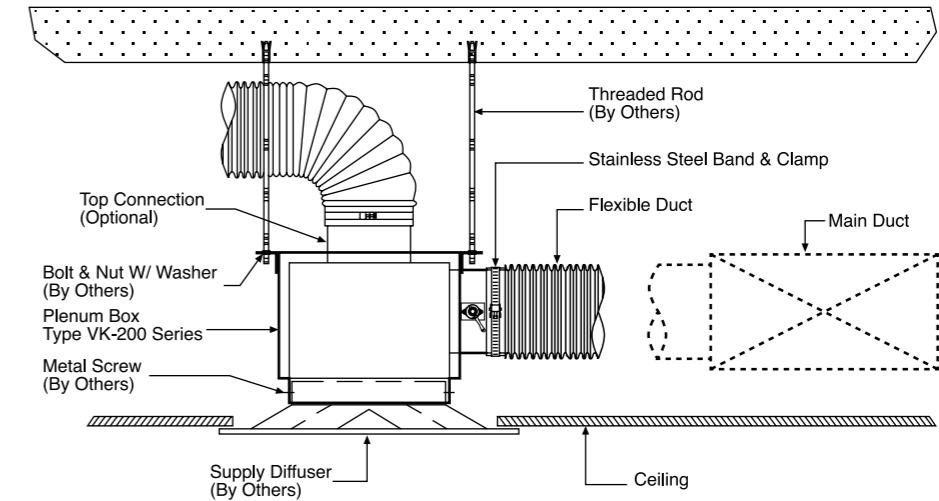
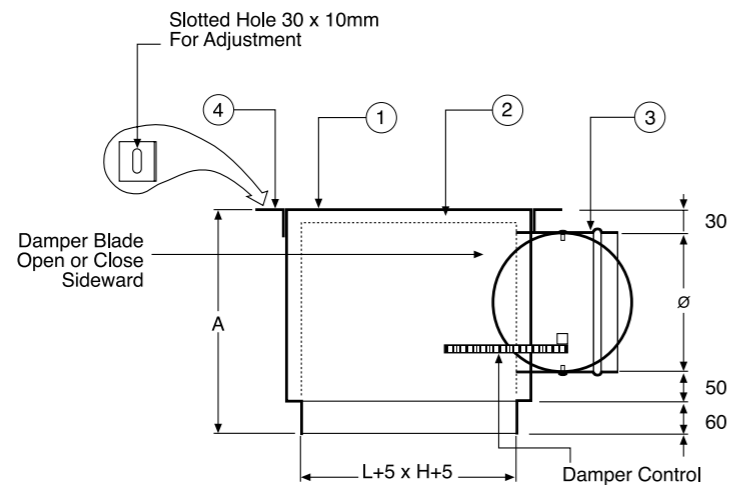
VK - 220

Spigot inlet with especial damper adjustable horizontally with damper control on face of diffuser, with 25mm thick acoustic lining. A plastic tube is fitted to damper control for pressure test if required.



VK - 230

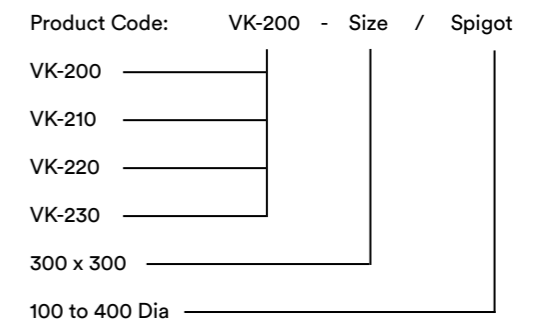
Spigot inlet with damper blade open and close sideward adjustable from face of diffuser and with 25mm thick acoustic



Sizes of Plenum Box

Item No.	Diffuser Size H x L (mm)	Plenum Size H+5 x L+5 (mm)	Spigot Inlet dia (mm)
1	150 x 150	155 x 155	100
2	225 x 225	230 x 230	150
3	300 x 300	305 x 305	200
4	375 x 375	380 x 380	250
5	450 x 450	455 x 455	300
6	525 x 525	530 x 530	350
7	600 x 600	605 x 605	400

Order Example



Make : SAFID
 Type : VK-200-300 X 300 / 250 Dia
 Qty. : 1

NOTE

Plenum box size varies as per customer's requirement.